

Water Proof Temperature Transmitter

【Description】

TT... temperature transmitter are to measure air or fluid temperature. It send signal to controller with two wires for air-condition control.

【Features】

High precision sensor can measure room, duct, or water pipe temperature. Good out looking and easy installation.



【Specification】

Model	Type	Output	Sense Range	Application
TTD7025A	Duct	4 ~ 20mA	-10 ~ 40 °C	-
TTW7010A	Immersion	4 ~ 20mA	-10 ~ 40 °C	Rrine
TTW7010A-1	Immersion	4 ~ 20mA	0 ~ 100 °C	Hot water

Power Supply : 12~40 Vdc,24 Vdc

Material : Pole: stainless steel, cover: die cast

Consumption : 1VA

Protection : IP 65

Sensor : PT100

Env. Humidity : 10~95 % RH

Sense Range : -10~40°C

Env. Temp. : -5°C~55°C

Accuracy : ±0.15 % full scale

Weight : Duct type 468 g ; Immersion : 548 g

Max. Load : 600 ohms

Fluid Temp. : -10°C~150°C

Reaction time : 300msec

Fluid Pressure : 16 kg/cm²

Connector : PG 9

Certificate : CE

【Accessories】

Type

Description

ABK001

Mounting Brackets for duck work.

AWL1508C-NPT

1/2in Brass Well, NPT*8φ(inner dia.)*111mm length

AWL1508S-NPT

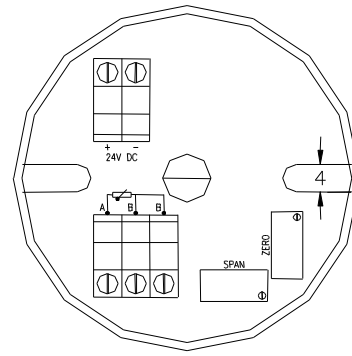
1/2in SUS304 Well, NPT*8φ (inner dia.)*111mm length

【Instalation】

- Duct type – Install mounting bracket, insert the transmitter and fix its screws. Install it at a place with stable air flow. Drill a 8φmm hole at straight pipe with 3~5 times duct diameter to an elbow. Insert and fix the transmitter on it.
- Immersion type – Fix the casing pipe and fill it with thermo jelly. Insert the transmitter and fix its screws. Put it at a steady flow. 3~5 times pipe diameter of a straight pipe from an elbow is suggested.

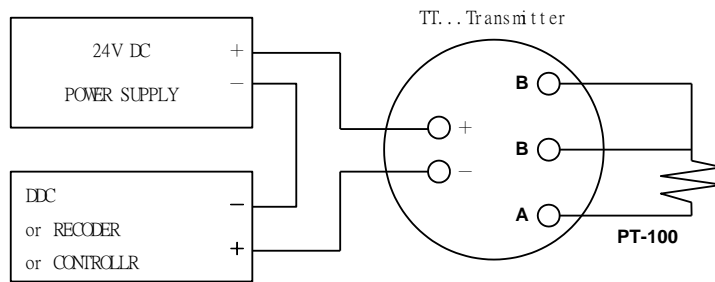
【Connector】

- Remove cover to see connectors. Unplug the connector and connect wires. Put plug back after wire connected.
- Please do not adjust any accuracy setting knob.

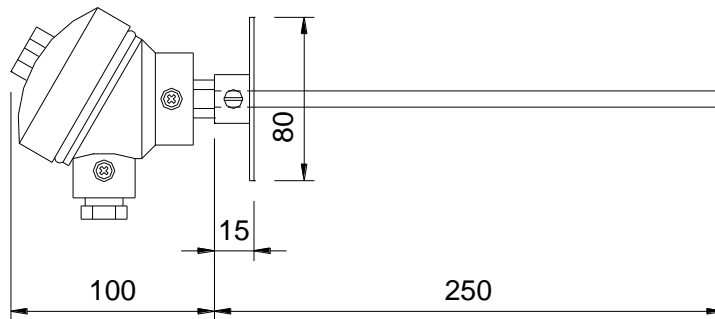


【Wiring】

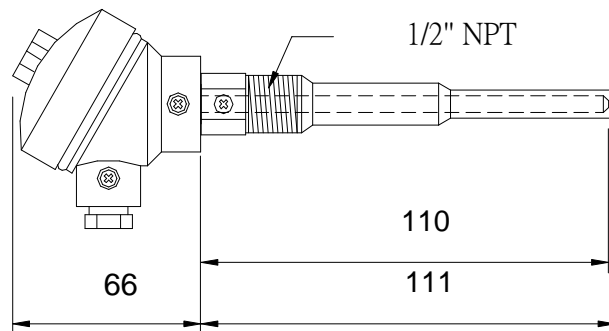
- Power supply by controller itself or by serial connection with other power source.



【Dimension】 (Unit : mm)



Duct Type



Immersion Type